



**780.897.5869**  
BURKECALIBRATION.COM

# **Blancett Turbine Flow Meter Gas QuikSert**

**Questions? Call us at 780-897-5869 or email [info@burkecalibration.com](mailto:info@burkecalibration.com)**

### DESCRIPTION

The Gas QuikSert turbine flow meter provides long service life by offering a durable construction design composed of stainless steel and tungsten carbide shaft and bearings. The unique wafer style design allows for quick installation and easily fits between two flanges. Gas QuikSert is fully compatible with all Blancett flow monitors, K-factor scalars, and intelligent converters. The Gas QuikSert is compatible with most instruments, PLCs and computers.

### FEATURES AND BENEFITS

- Consistent, reliable gas flow measurement.
- Wafer mounting configuration for limited space requirements.
- Light weight, balanced rotor provides instantaneous response to changes in flow.
- No mating flange design allows for quick and easy install.
- Superior material of construction for high performance in aggressive environments.

### INSTALLATION

The flow meter must be installed with the flow indication arrow, etched on the exterior of the meter body, aligned with the correct direction of flow. The preferred mounting orientation is to have the meter installed in horizontal piping, with the pickup facing upward. However, the meter will function in any position. For optimum performance, the flow meter should be installed with a minimum of 10 diameters upstream straight pipe length and 5 diameters downstream straight pipe length.



### REPAIR KITS

If a turbine is damaged and it becomes necessary to service the meter, repairs are easily accomplished in the field using slide-in replacement cartridges.

Cartridge replacement kits come complete with the turbine cartridge and two retaining rings.

### PART NUMBER INFORMATION

Part Number	Bore Size	End Connections	Max PSI	Flow Ranges		Strainer Mesh	Approx. K-factor Pulses/ft <sup>3</sup> (Pulses/m <sup>3</sup> )	Meter Weight (lb)	End to End Length	Repair Kit	Hardware Kit
				<sup>2</sup> ACFM	MCFD						
B142-20L	2 in.	#150 Flange	2220 PSIG	7...70	10...100	60	365 (12,900)	—	1.8 in.	B142-20L-KIT	B142-20-150KIT
B142-20M	2 in.	#150 Flange	2220 PSIG	14...210	20...300	60	190 (6710)	—	1.8 in.	B142-20M-KIT	
B142-20H	2 in.	#150 Flange	2220 PSIG	35...350	50...500	60	85 (3000)	—	1.8 in.	B142-20H-KIT	

<sup>1</sup> Does not include magnetic pickup. Order Blancett B111113 Low Drag Pickup

<sup>2</sup> At 0 psig (0 bar) and 60° F (15.6° C)

<sup>3</sup> Compatible with Cameron/NuFlo 2 in. wafer gas meter

## OPERATING PRINCIPLE

Gas moving through the turbine flow meter causes the rotor to turn at a speed proportional to the flow rate. The rotor blade cuts the magnetic field that surrounds the magnetic pickup, which in turn generates a frequency output signal that is directly proportional to the volumetric flow rate (see *Figure 1*). The signal is used to represent flow rate and/or totalization of a gas passing through the turbine flow meter and is always expressed as the number of electric pulses that the meter produces per cubic foot. This value, called the K-factor, is constant over each flow meter's range and is unique to the meter.

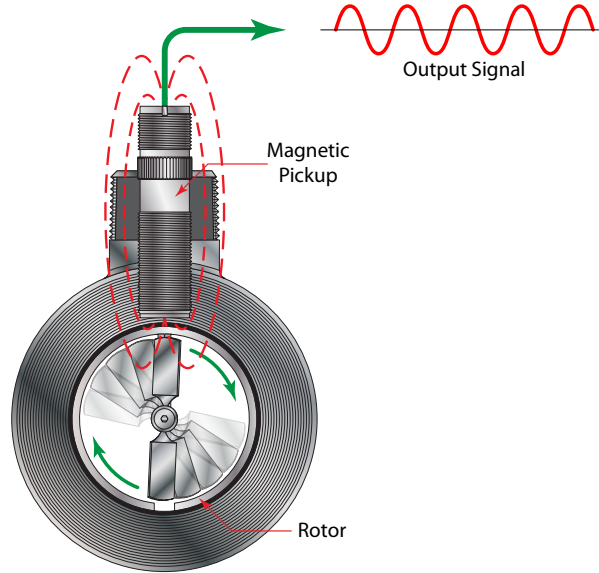


Figure 1: B142 turbine flow meter

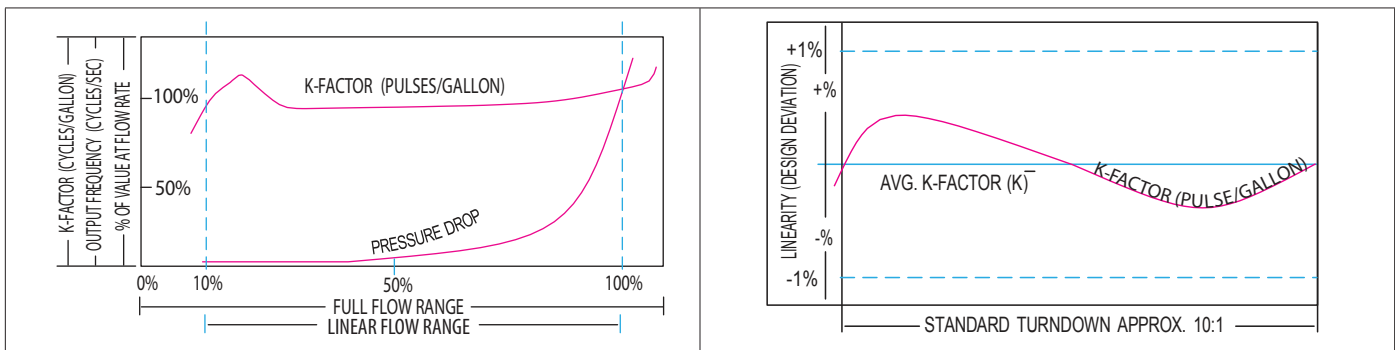
## K-FACTOR

The K-factor represents the number of output pulses transmitted per gallon of fluid passing through the turbine meter. Each turbine has a unique K-factor. However, turbine meters are not functionally consistent throughout the full flow range of the meter.

There are several forms of friction inherent in turbine meters that slow down the rotational movement of the turbine rotor. These frictional forces include: magnetic drag, created by electromagnetic force of pickup transducers; mechanical drag, due to bearing friction; and viscous drag, produced by flowing fluid. See charts below.

As flow increases, the frictional forces are minimized and the free-wheeling motion of the turbine rotor becomes more linear (proportional to flow). The K-factor becomes relatively constant and linear throughout the balance of the linear flow range. This is approximately a 10:1 turndown ratio from the maximum flow rate down to the minimum flow rate.

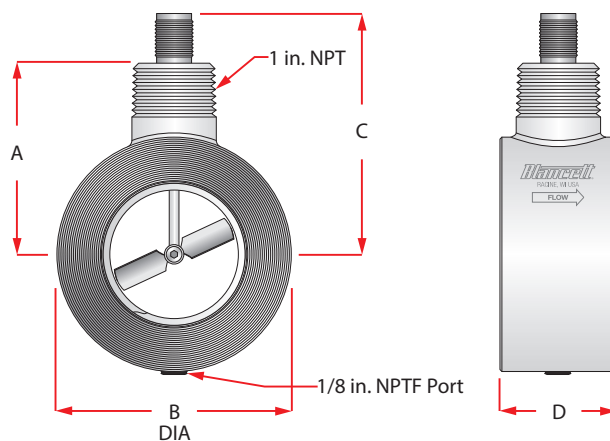
### Typical K-factor Curve (Pulse per US Gallon)



## SPECIFICATIONS

<b>Materials of Construction</b>	<b>Body</b>	316/316L stainless steel
	<b>Rotor</b>	410 stainless steel
	<b>Bearings</b>	Tungsten carbide
	<b>Rotor Shaft</b>	Tungsten carbide
	<b>Rotor Support</b>	—
	<b>Set Screws - Pressure Port Plug</b>	316 stainless steel
	<b>Bearing Mounts</b>	304 stainless steel
<b>Operating Temperature</b>	-40...330° F (-40...165° C)	
<b>Pressure Rating</b>	Vacuum to 2220 psig (15.3 MPa) max.	
<b>End Connections</b>	#150 Flange	
<b>Turndown Ratio</b>	—	
<b>Accuracy</b>	<b>Linearity</b>	±2% of reading over the specified measuring range (see "Part Number Information")
	<b>System Uncertainty</b>	±1% of reading when integrated with a properly configured Blancett flow monitor or signal conditioner
<b>Repeatability</b>	±0.5% of reading	
<b>Calibration</b>	—	
<b>Pickup</b>	Not included. Order Blancett B111113 low drag P.U.	
<b>Certification</b>	<b>Intrinsically Safe</b>	Class I Division 1 Groups C, D [Entity Parameters $V_{max} = 10V$ , $I_{max} = 3 mA$ , $C_i = 0 \mu F$ and $L_i = 1.65 H$ with Blancett B111113 magnetic pickup installed] for US and Canada. Complies with UL 913 and CSA 22.2 No. 157-92
	<b>Explosion-Proof</b>	Class I Division 1 Groups C, D. complies with UL1203 and CSA C22.2 No. 30-M1986
	<b>Single Seal</b>	Complies with ANSI/ISA 12.27.01-2003
<b>Installation</b>	Mounts between two 2 in. ANSI raised face flanges, ideally sized for 2 in. schedule 40 or 80 pipe; horizontal or vertical orientation	
<b>Pressure Loss</b>	3 in. of water column (7.5 mbar) max. (dry air)	
<b>Output Signal</b>	100 mVpp minimum (with Blancett B111113 magnetic pickup installed)	
<b>Nominal K-Factor</b>	See "Part Number Information"	

## DIMENSIONS



A	B Diameter	C	D End to End
2.95 in. (74.90 mm)	3.61 in. (92.00 mm)	3.12 in. (79.20 mm)	1.80 in. (45.70 mm)

## Control. Manage. Optimize.

Blancett and QuikSert are registered trademarks of Badger Meter, Inc. Other trademarks appearing in this document are the property of their respective entities. Due to continuous research, product improvements and enhancements, Badger Meter reserves the right to change product or system specifications without notice, except to the extent an outstanding contractual obligation exists. © 2018 Badger Meter, Inc. All rights reserved.

**[www.badgermeter.com](http://www.badgermeter.com)**

---

The Americas | Badger Meter | 4545 West Brown Deer Rd | PO Box 245036 | Milwaukee, WI 53224-9536 | 800-876-3837 | 414-355-0400  
México | Badger Meter de las Americas, S.A. de C.V. | Pedro Luis Ogazón N°32 | Esq. Angelina N°24 | Colonia Guadalupe Inn | CP 01050 | México, DF | México | +52-55-5662-0882  
Europe, Eastern Europe Branch Office (for Poland, Latvia, Lithuania, Estonia, Ukraine, Belarus) | Badger Meter Europe | ul. Korfantego 6 | 44-193 Knurów | Poland | +48-32-236-8787  
Europe, Middle East and Africa | Badger Meter Europa GmbH | Nurtinger Str 76 | 72639 Neuffen | Germany | +49-7025-9208-0  
Europe, Middle East Branch Office | Badger Meter Europe | PO Box 341442 | Dubai Silicon Oasis, Head Quarter Building, Wing C, Office #C209 | Dubai / UAE | +971-4-371 2503  
Slovakia | Badger Meter Slovakia s.r.o. | Racianska 109/B | 831 02 Bratislava, Slovakia | +421-2-44 63 83 01  
Asia Pacific | Badger Meter | 80 Marine Parade Rd | 21-06 Parkway Parade | Singapore 449269 | +65-63464836  
Switzerland | Badger Meter Swiss AG | Mittelholzerstrasse 8 | 3006 Bern | Switzerland | +41-31-932 01 11